

Product specification

ZQ-SD10(1001)



Version: A

Date:

Editor:

Index

1.Profile.....	2
1.1. Description.....	2
2.Specifications.....	2
2.1.Specific technical parameters	2
3. Size description	3
4.Accessories description	3
5.Replenish solvent and replace pump.....	4
6.Transportation environment.....	4
7.Operation and storage environment.....	5
8.Certificates & Standard	5

1.Profile

1.1. Description

Automatic hand sanitizer is a public health equipment, widely used in health care, schools, hotels, restaurants, stations, airports and other public areas. Small size, space-saving, flexible installation and convenient, with intelligent induction, contact-free, to avoid cross-infection.

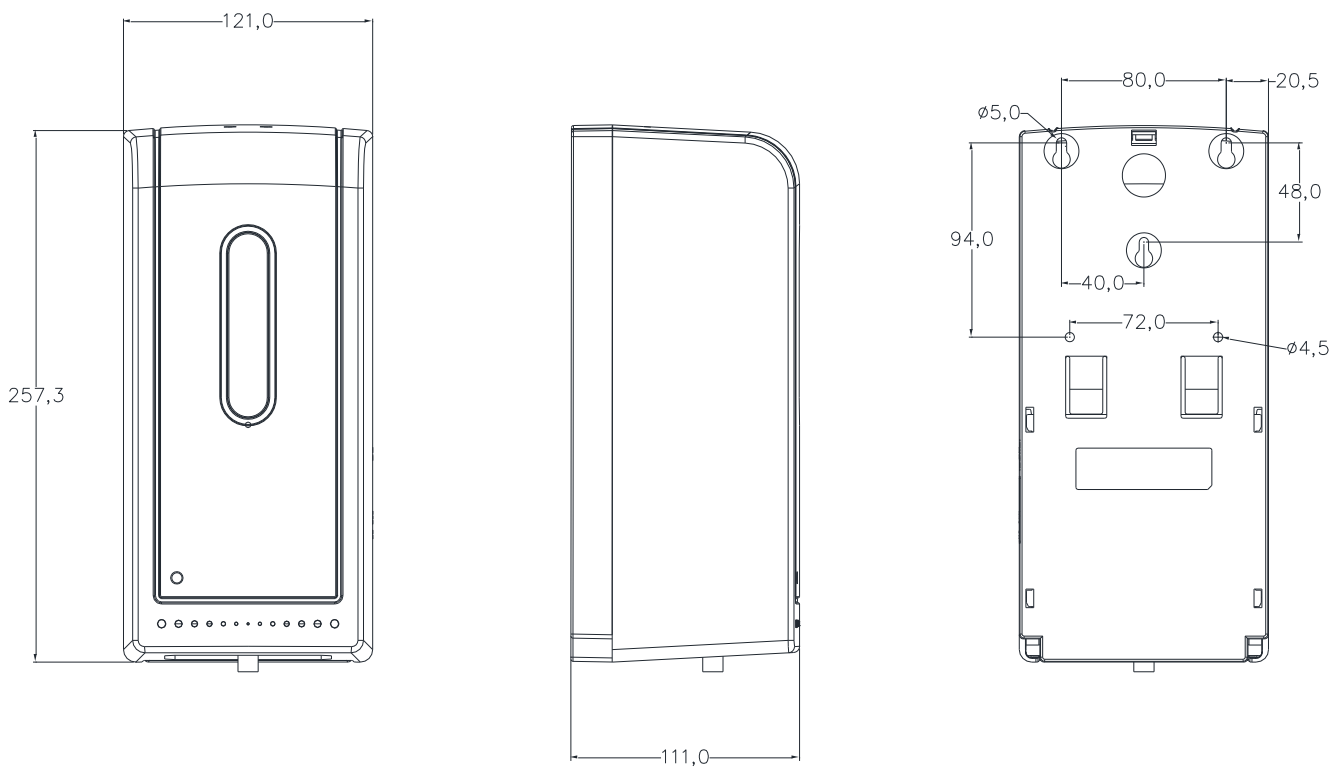
2.Specifications

2.1.Specific technical parameters

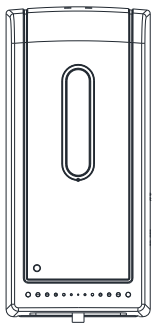
Type	Item	Description
Automatic hand sanitizer	sensing method	Infrared auto-sensing
	sensing distance	4~8CM
	response time	0.3 seconds
	Power supply	4 pieces of AA(1.5V) battery(Non rechargeable),(Or DC6V power supply (optional) can not use with battery)
	Battery working time	4000 (Spray)
	switch	Switch keys
	Installation mode of liner	Independent assembly, easy to replace and clean

	Liquid capacity	1000ml
	Liquid pump	Spray/Soap
	Spraying volume	1ml (Spray)
	Opening method	Open with safety key
	Liquid exchange method	Manual open cover to replace liquid
	Shell material	Environmental ABS materials
	Product Sizes	121*110*260mm
	Package Sizes	130*127*270mm
	Gross weight	About 910g

3. Size description



4. Accessories description



Host

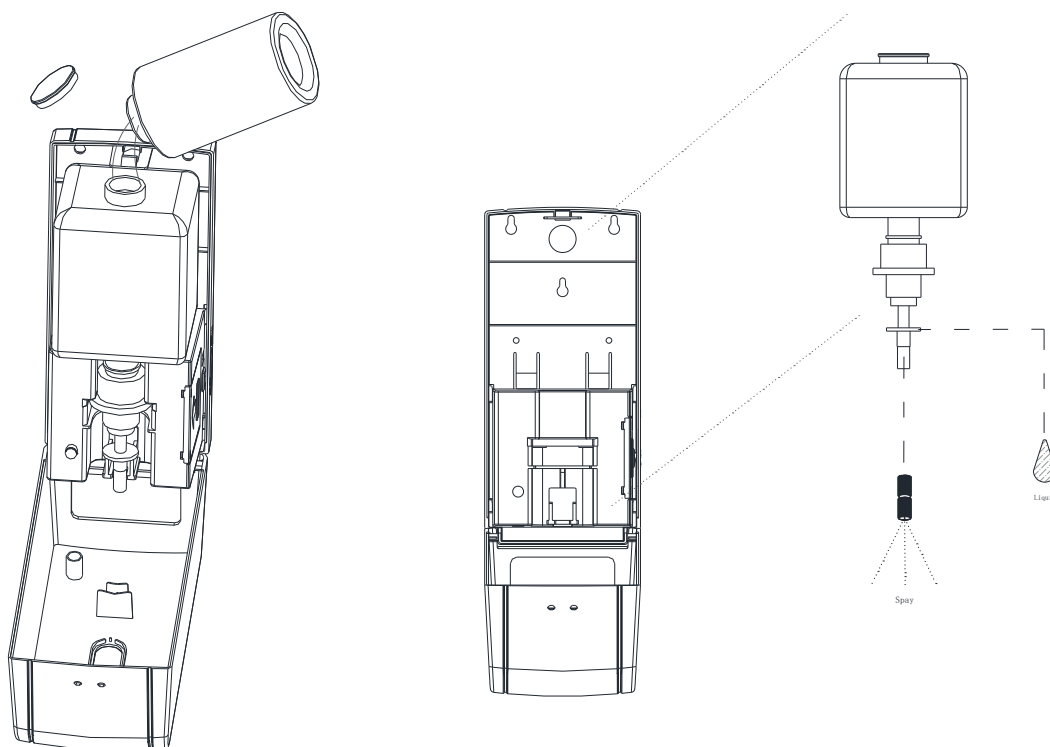


Screws



Manual

5.Replenish solvent and replace pump



6.Transportation environment

Temperature - 20 ~ 60 °C, humidity 5% ~ 85% RH

Vibration test - IEC60721-3-2 Class 2M2

7.Operation and storage environment

Operating environment: temperature 0 ~ 40 °C, humidity 35% ~ 85% RH

Storage environment: temperature - 10 ~ 50 °C, humidity 15% ~ 90% RH

8.Certificates & Standard

Certificates compliance: CCC / CB / CE

Electrostatic rating:

Contact discharge: Level II

Air discharge: Level III