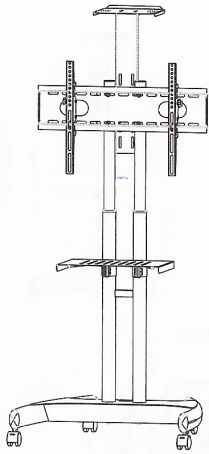
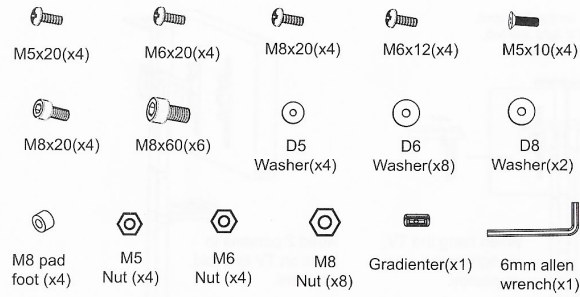


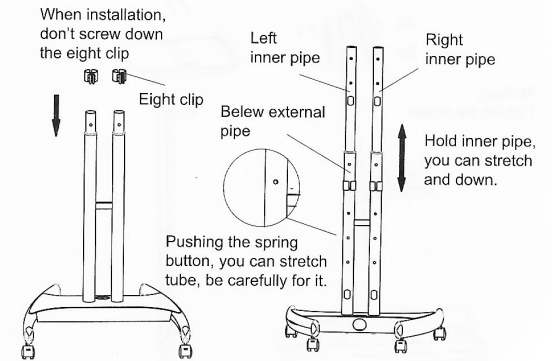
# ML5075 TV STAND INSTSLLLTION INSTRUCTION



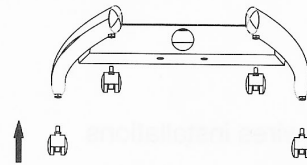
## TOOL LIST:



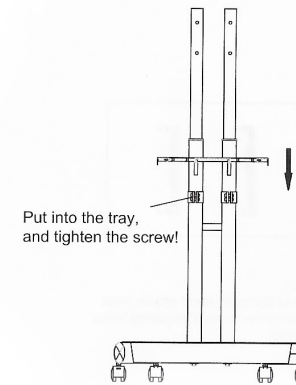
## 3. The installation of eight clip and pipe clamp:



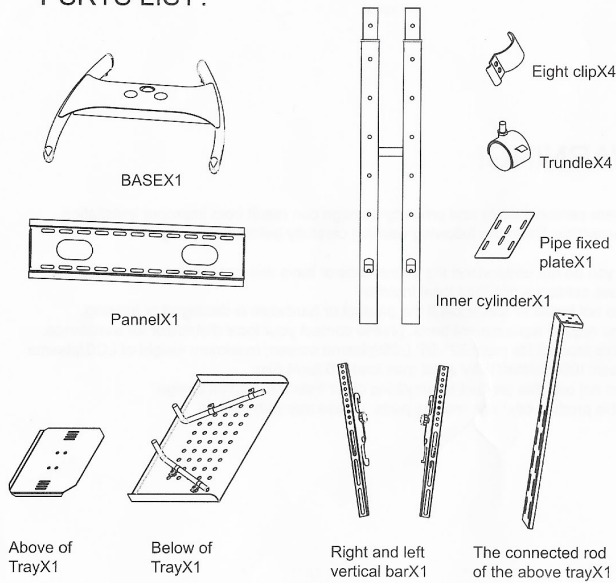
## 1. Castor wheels to base installation:



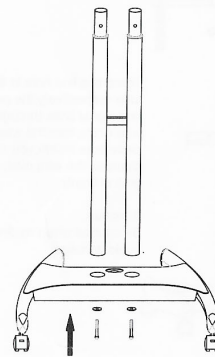
## 4. The installation of tray



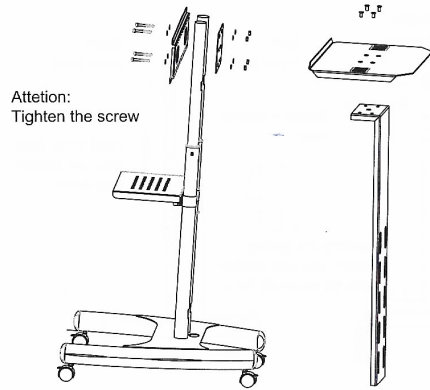
## PSRTS LIST:



## 2. Post assembly to base installation:



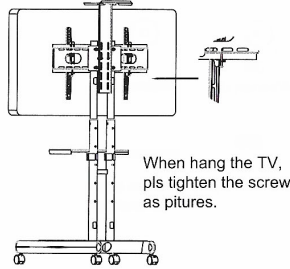
## 5. The installation of pannel and tray



Attention:  
Tighten the screw

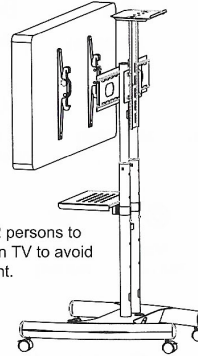
## 7. Mounting TV on polr interface

Put the TV on the Tv stand,  
move the TV right and left,  
try to move tv to center.

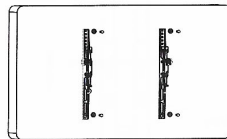
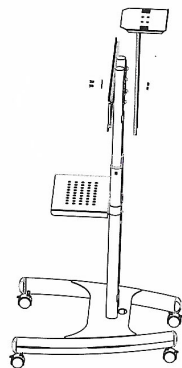


When hang the TV,  
pls tighten the screw  
as pitures.

Need 2 persons to  
hook on TV to avoid  
accident.

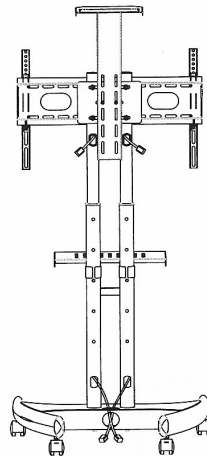


## 6. The installation of TV mounting pattern



Attention:  
To avoid damage plastic spacer  
must be used when depth of mounting holes  
is minimal.

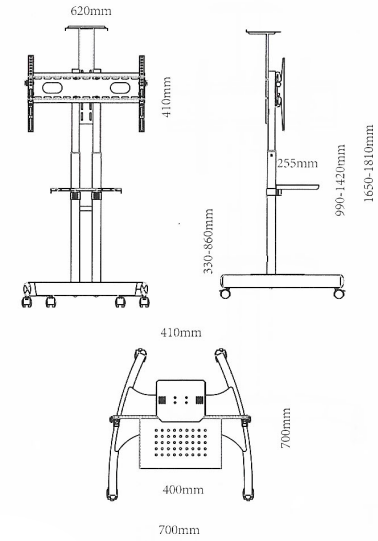
## 8. Cable and wires installations



There is a line hole in the circular  
tube respectively;the power cord  
and signal lines through the first  
wire circle,then the wear into the  
circle tube inside,you should  
clamped the wire circle on the pipe  
go line finally.

Attention:  
Be caution when routing wires to  
avoid damage.

## 9. Product specifications



## WARNING!

Severe personal injury and property damage can result from improper installation or assembly. Read the following warning carefully before beginning.

- If you do not understand the instructions or have any concerns or questions, please contact a qualified local installer.
- Do not install or assemble if the product or hardware is damaged or missing, if you require replacement parts, please contact your local distributor for assistance.
- This product fits most 32"-55" LCD/plasma screen; maximum weight of LCD/plasma screen: 100 lbs/45KG; AV shelf max load: 10 lbs/4.5kg.
- Do not use this product for anything other than the original design.
- This product contains moving parts, please use with caution.